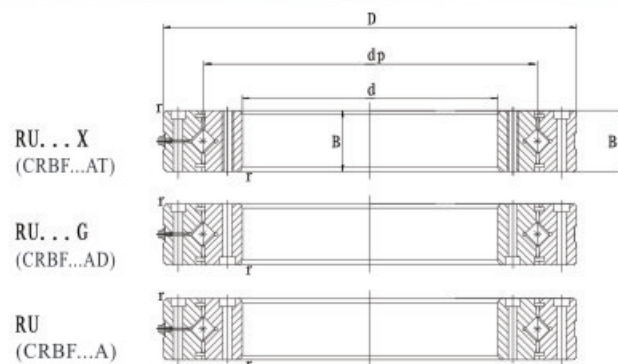
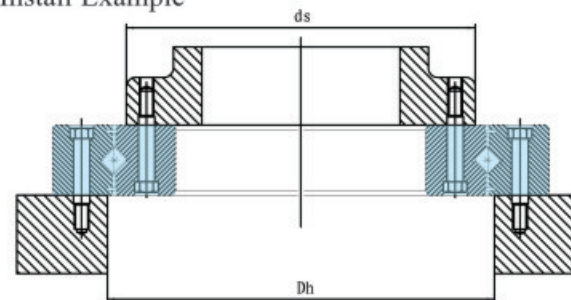


## RU(CRBF)系列

### RU(CRBF) series



RU型安装示意图  
Install Example



轴径 shaft diameter (mm)	型号Model number		主要尺寸 Main dimensions (mm)					靠肩尺寸 Shoulder height		基本额定负荷 (径向) Basic load rating(radial)		重量 weight
	THK	IKO	内径 Inner ring d (mm)	外径 Outer ring D (mm)	滚子节 圆直径 dp	宽度 width B B1	倒角 r(min)	ds (mm)	Dh (mm)	C kN	Co kN	Kg
20	RU42	CRBF2012AT	20	70	41.5	12	0.6	37	47	7.35	8.35	0.29
35	RU66	CRBF3515AT	35	95	66	15	0.6	59	74	17.5	22.3	0.62
55	RU85	CRBF5515AT	55	120	85	15	0.6	79	93	20.3	29.5	1
80	RU124G/RU124	CRBF8022AD/CRBF8022A	80	165	124	22	1	114	134	33.1	50.9	2.6
	RU124X	CRBF8022AT										
90	RU148G/RU148	/	90	210	147.5	25	1.5	133	162	49.1	76.8	4.9
	RU148X	/										
115	RU178G/RU178	/	115	240	178	28	1.5	161	195	80.3	135	6.8
	RU178X	/										
160	RU228G/RU228	/	160	295	227.5	35	2	208	246	104	172	11.4
	RU228X	/										
210	RU297G/RU297	/	210	380	297.3	40	2.5	272	320	156	281	21.3
	RU297X	/										
350	RU445G/RU445	/	350	540	445.4	45	2.5	417	473	222	473	35.4
	RU445X	/										

## RU(CRBF)系列/RU(CRBF) series

轴径 shaft diameter (mm)	型号 Modelnumber		安装孔尺寸 Relation between the mounting holes (mm)			
			内圈 inner ring		外圈 outer ring	
	THK	IKO	PCD1	安装孔mounting holes	PCD2	安装孔mounting holes
20	RU42	CRBF2012AT	28	6-M3贯通 6-M3 through	57	6-φ 3.4贯通, φ 6.5衬孔深度3.3 6-φ 3.4 through, φ 6.5 counterbore depth 3.3
35	RU66	CRBF3515AT	45	8-M4贯通 8-M4 through	83	8-φ 4.5贯通, φ 8 衬孔深度4.4 8-φ 4.5 through, φ 8 counterbore depth 4.4
55	RU85	CRBF5515AT	65	8-M5贯通 8-M5 through	105	8-φ 5.5贯通, φ 9.5衬孔深度5.4 8-φ 5.5 through, φ 9.5 counterbore depth 5.4
80	RU124G/RU124	CRBF8022AD CRBF8022A	97	10-φ 5.5贯通, φ 9.5衬孔深度5.4 10-φ 5.5 through, φ 9.5 counterbore depth 5.4	148	10-φ 5.5贯通, φ 9.5衬孔深度5.4 10-φ 5.5 through, φ 9.5 counterbore depth 5.4
	RU124X	CRBF8022AT		10-M5贯通 10-M5 through		
90	RU148G/RU148	/	112	12-φ 9贯通, φ 14衬孔深度8.6 12-φ 9 through, φ 14 counterbore depth 8.6	187	12-φ 9贯通, φ 14衬孔深度8.6 12-φ 9 through, φ 14 counterbore depth 8.6
	RU148X	/		12-M8贯通 12-M8 through		
115	RU178G/RU178	/	139	12-φ 9贯通, φ 14衬孔深度8.6 12-φ 9 through, φ 14 counterbore depth 8.6	217	12-φ 9贯通, φ 14衬孔深度8.6 12-φ 9 through, φ 14 counterbore depth 8.6
	RU178X	/		12-M8贯通 12-M8 through		
160	RU228G/RU228	/	184	12-φ 11贯通, φ 17.5衬孔深度10.8 12-φ 11 through, φ 17.5 counterbore depth 10.8	270	12-φ 11贯通, φ 17.5衬孔深度10.8 12-φ 11 through, φ 17.5 counterbore depth 10.8
	RU228X	/		12-M10贯通 12-M10 through		
210	RU297G/RU297	/	240	16-φ 14贯通, φ 20衬孔深度13 16-φ 14 through, φ 20 counterbore depth 13	350	16-φ 14贯通, φ 20衬孔深度13 16-φ 14 through, φ 20 counterbore depth 13
	RU297X	/		16-M12贯通 16-M12 through		
350	RU445G/RU445	/	385	24-φ 14贯通, φ 20衬孔深度13 24-φ 14 through, φ 20 counterbore depth 13	505	24-φ 14贯通, φ 20衬孔深度13 24-φ 14 through, φ 20 counterbore depth 13
	RU445X	/		24-M12贯通 24-M12 through		